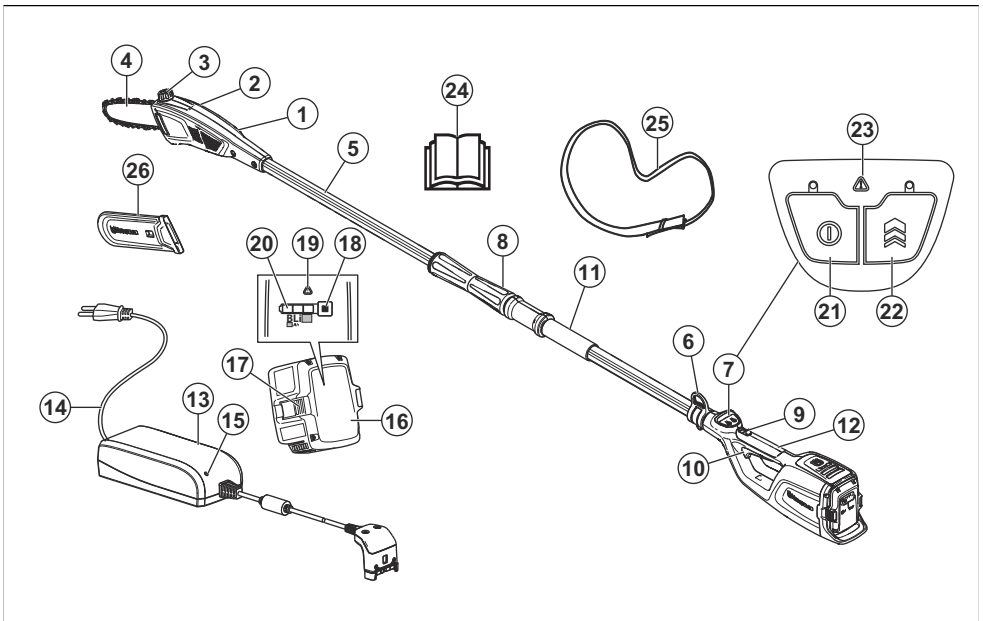


120iTK4-P

EN	Operator's manual	2-25
ES-MX	Manual de usuario	26-51
FR-CA	Manuel d'utilisation	52-76



- 1. Saw head
- 2. Chain tensioning knob
- 3. Chain oil tank
- 4. Guide bar
- 5. Shaft
- 6. Harness support hook

- 7. Keypad
- 8. Telescopic function
- 9. Power trigger lockout
- 10. Power trigger
- 11. Front handle
- 12. Rear handle

13. Battery charger
14. Cord
15. Power on/Warning LED
16. Battery
17. Battery release buttons
18. Battery indicator button
19. Warning LED
20. Battery indicator LED
21. Start/Stop button
22. Boost button
23. Warning LED
24. Operator's manual
25. Harness
26. Transport guard

Symbols on the product